

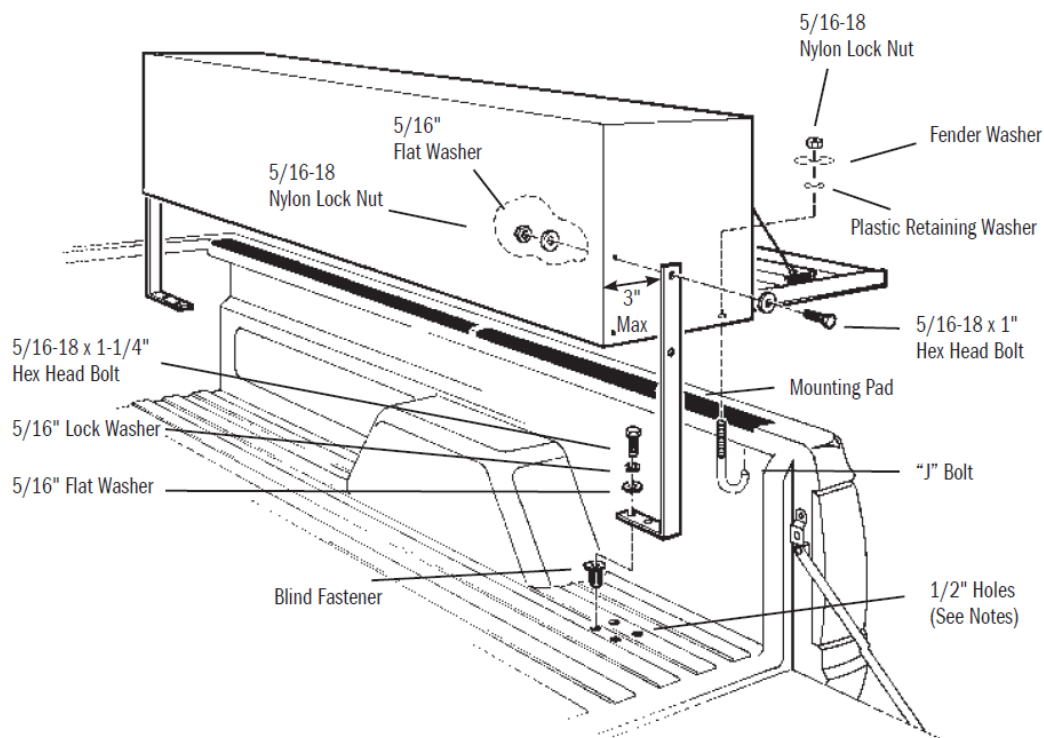
# PRODUCT BULLETIN

## WEATHER GUARD® Truck Products

### WEATHER GUARD® & WEATHER GUARD Defender Series™ Hi-Side, Super Side Boxes

It has come to our attention that the WEATHER GUARD® & WEATHERGUARD® Defender Series™ Hi-Side and Super Side boxes are being mounted to ladder rack legs instead of being installed to the truck bed floor using the mounting legs provided.

Mounting these boxes directly to ladder racks will cause structural damage to the box and is **NOT** covered by warranty. Please advise installers that they must follow the installation instructions. The only acceptable way to install these boxes to a pickup bed is to utilize the mounting legs included with the box and install it to the truck bed floor. Please see image from the installation instructions below:



#### Models Affected:

246-X-02, 247-X-02, 264-X-02, 265-X-02, 272-X-02, 290-X-02, 291-X-02, 296-X-02, 297-X-02, 346-X-02, 347-X-02, 364-X-02, 365-X-02, 372-X-02, 390-X-02, 391-X-02, 396-X-02, 300302-X-01, 300303-X-01

X = Color

WEATHER GUARD®: 0-Clear, 3-Brite White, 5-Gloss Black, 52-Textured Matte Black

WEATHER GUARD® Defender Series™: 9-Uncoated, 53-Smooth Matte Black

**If you have any questions regarding this product update, please call our Customer Service Department:**

TOLL FREE: 1-800-456-7865  
 KNAACK® LLC, 420 E. Terra Cotta Ave.,  
 Crystal Lake, IL 60014  
[www.weatherguard.com](http://www.weatherguard.com)

In Canada contact Customer Service at:  
 TOLL FREE 888-562-2251

WEATHER GUARD®/KNAACK®  
 9133 Leslie St. Unit 105 888-456-8460 Fax  
 Richmond Hill, ON L4B4N1