



**TRUCK AND VAN EQUIPMENT**

# INSTALLATION INSTRUCTIONS

**Aluminum & Steel Hi-Side/Super Side Boxes  
Models 246-3-01 through 396-5-01**

**WWW.WEATHERGUARD.COM**



## PRODUCT REGISTRATION

Model # \_\_\_\_\_ Serial# \_\_\_\_\_
   
***For your convenience,  
place product registration  
tear-off sticker here.***

Purchase Date: \_\_\_\_\_
   
 Place of purchase: \_\_\_\_\_
   
 Key Code: \_\_\_\_\_

## INSTALLATION TIME

Approximate Installation Time: 42 min. per unit (0.7 hrs.) depending on Truck equipment installation experience.

## TOOLS REQUIRED

- 1/2" Open or Box End Wrench (2)
- Electric Drill
- 1/2" & 3/8" Drill Bits
- Carpenters Square
- Utility Knife or Scissors
- Tape
- 9/16" Open or Box End Wrench
- Measuring Tape/Ruler
- Pencil/Sharpie

## PARTS LIST

- 1 - Hi-Side (or Super Hi-Side) Box
- 2 - Legs
- 2 - Mounting Pads (20" and/or 27" and/or 45")

## BOLT KIT

Bolt Kit #32-0027 is provided with aluminum models 346 thru 365 and steel models 246 thru 265. Check this bolt kit to be sure the following parts are included:

Qty.	Description
1	1-3/4" Round Cap Plug
8	5/16" Lock Washer
14	5/16" Flat Washer
4	5/16-18 Blind Fastener
1	Installation Tool
1	5/16-18 x 2-1/4" Bolt, black oxide
4	5/16-18 x 1-1/4" Hex Bolt
4	5/16-18 x 1" Hex Bolt
10	5/16-18 Nylon Lock Nut
2	"J" Bolt
2	Plastic Retaining Washer
2	Fender Washer

Bolt Kit #32-0028 is provided with aluminum models 372 thru 396 and steel models 272 thru 297. Check this bolt kit to be sure the following parts are included:

Qty.	Description
1	1-3/4" Round Cap Plug
8	5/16" Lock Washer
14	5/16" Flat Washer
4	5/16-18 Blind Fastener
1	Installation Tool
1	5/16-18 x 2-1/4" Bolt, black oxide
4	5/16-18 x 1-1/4" Hex Bolt
4	5/16-18 x 1" Hex Bolt
12	5/16-18 Nylon Lock Nut
4	"J" Bolt
4	Plastic Retaining Washer
4	Fender Washer

## DANGER

Danger of explosion. Do not use this product for storing or transporting flammables, explosives, hazardous materials, or hazardous waste, such as containers of gasoline, solvents, gun powder, dynamite, propane tanks, acetylene tanks, cutting torches and gas powered equipment. This product is only intended and safe for use in storing and transporting small tools, equipment and other similar materials. Any modifications made to, or unintended use of this product, could create a hazardous condition that can cause death, serious personal injury or property damage.

## WARNING

This product can reduce the driver's ability to clearly see road-ways, vehicular or pedestrian traffic and other objects through the rear and side windows of the vehicle, which may cause an accident. Extra precautions should be taken when driving a vehicle with this product. Make all adjustments necessary to ensure maximum visibility, including but not limited to, changing mirror and seating positions. State and local laws may prohibit obstruction of windows in a moving vehicle.

## CAUTION

To keep debris out of your eyes when checking the underside of the vehicle, or when drilling, always wear protective eyewear.

## WARNING

Prior to drilling, so as not to cut or puncture fuel tanks, fuel lines, brake lines, electric wires, etc., check under vehicle for locations.

## WARNING

All floor mounting bolts near the gas tank area should be installed from the underside of the vehicle, to guard against the gas tank being punctured in the event of a collision. This would mean not using Blind Fasteners in this area. Holes in this area should be 3/8"

## INSTALLATION INSTRUCTIONS

**NOTE:** If installing the box on top of a stake bed, disregard these instructions. Mount the box with the bottom fully supported or structural damage will occur to the box.

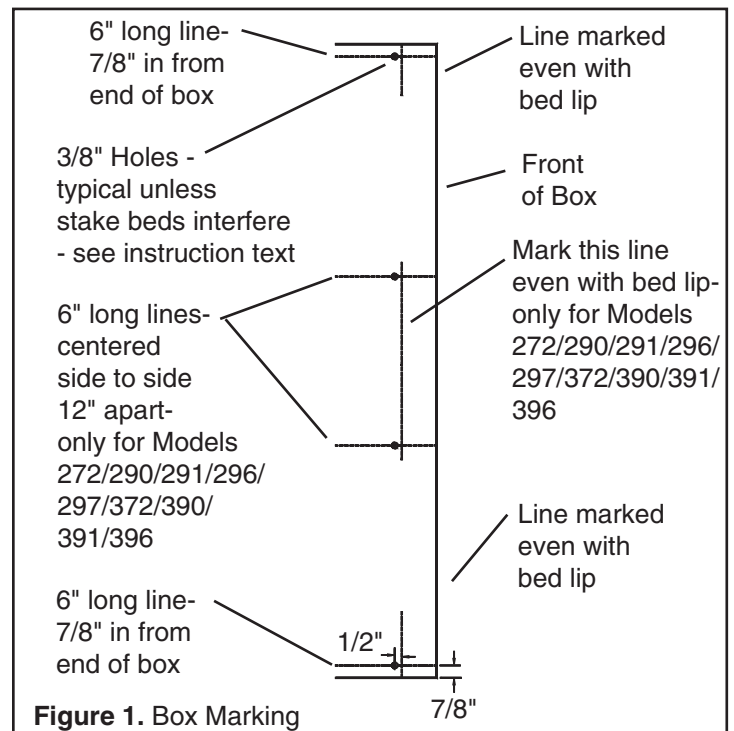
**NOTE:** When installing in a pickup bed the box must be installed per these instructions using the mounting legs supplied. This box must never be bolted to a ladder rack or structural damage will occur to the box. If installing the box on top of a stake bed, the bottom of the box must be fully supported by the stake bed.

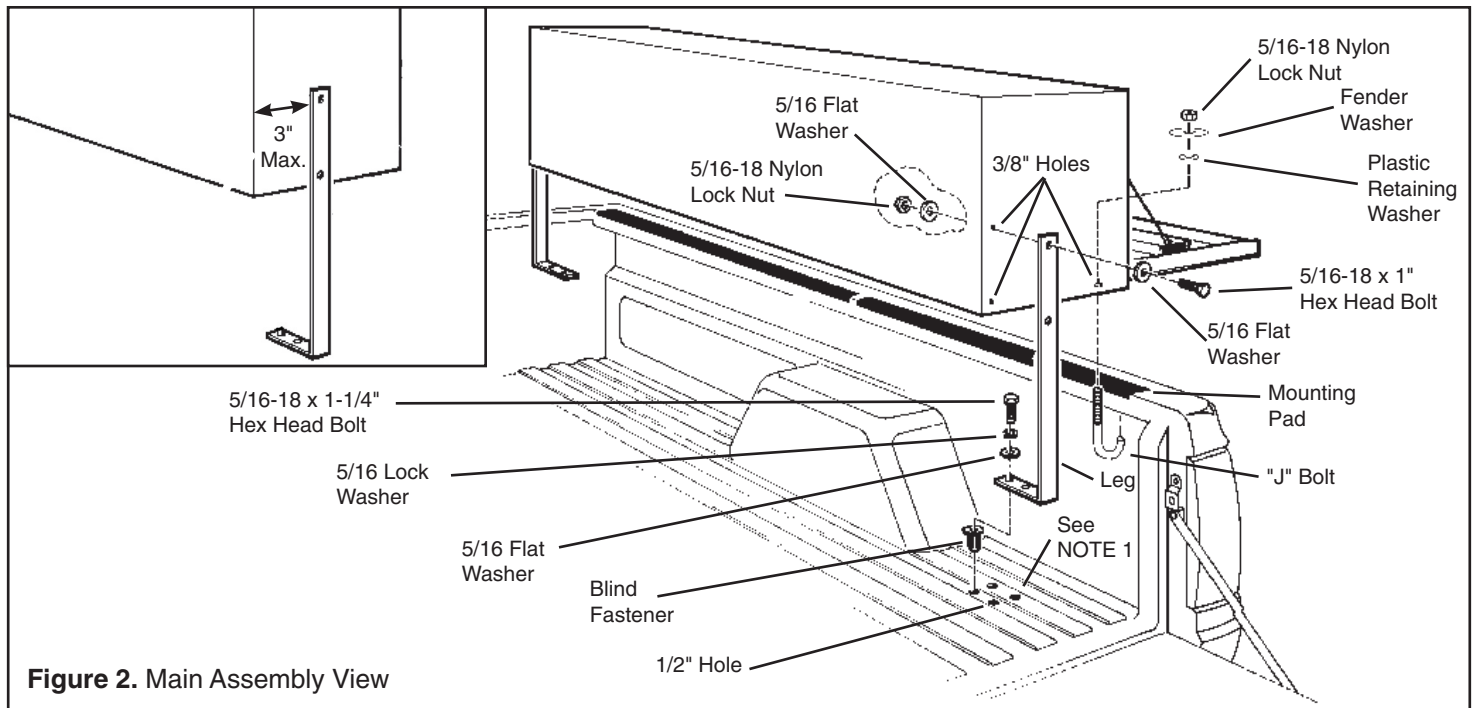
**NOTE:** To prevent rust from occurring, touch-up any drilled holes.

1. Park the vehicle as level as possible.
2. Turn the box over, and at each end of the box, mark a 6" long line 7/8" in from and parallel to the end. Start the line at the front of the bottom (see Figure 1). For Models 272/290/291/296/297/ 372/390/391/396, mark a 6" long line centered side to side on the box, 12" apart (see Figure 1.).
3. Place the Mounting Pads in position on top of the truck bed (as shown in Figure 2.). Tape the Mounting Pads to the truck bed in a few places to keep them from moving or falling off when installing the box.
4. Place the box in position on the bed side, support the rear of the box with scrap lumber or cribbing, and square the

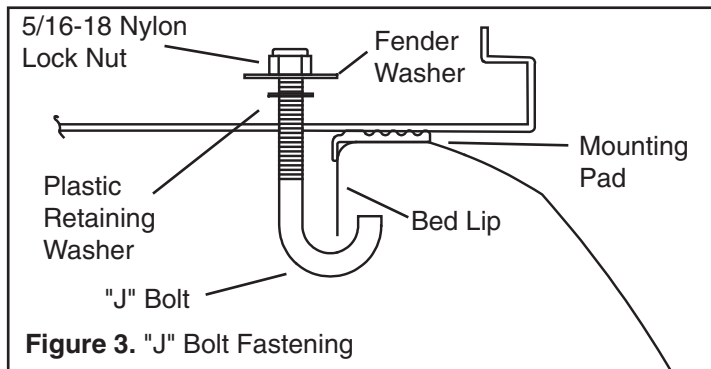
box to the bed. Level the box so the top is horizontal when viewed from the rear.

**NOTE:** Fasten the leg mounting feet directly to the floor, not on bed liners or floor mats.





**Figure 2. Main Assembly View**



**Figure 3. "J" Bolt Fastening**

5. Place one leg close to the rear corner of the box using a square to get a proper vertical setting. The closer the legs are mounted to the rear corner, the more stable the box will be.

**NOTE: Leg can be mounted up to 3" maximum from rear corner of box (see figure 2 inset).**

**NOTE 1: The foot of the Leg must be squarely mounted on or between the tops of the floor ribs.**

6. Mark both leg foot holes on the floor of the truck bed, and both leg top holes in the end of the box.

7. Repeat leg placement and marking process at the other end of the box.

8. Using the bed lip as a guide, mark the underside of the box at the point where the box and bed lip meet at the ends of the box, and in the center of the box if installing a 272/290/291/296/297/372/390/391/396 (see Figure 1). If there is a stake pocket in the truck bed below the point where any of the 6" long lines intersect the truck bed, mark the truck bed at that point.

9. Remove the box and turn it over. Mark the box in two locations for drilling (four for Models 272/290/291/296/297/372/390/391/396). Mark these holes 1/2" inward of the marked line, and on the 6" long lines (see Figure 1).

10. If a stake pocket interfered with any "J" bolt mounting location, it will be necessary to drill the box with a 1/2" drill for that "J" bolt, and to drill the stake pocket at the mark with a 1/2" drill bit, with the top of the hole even with the bottom edge of the bed lip. Drill all box marks with a 3/8" drill bit. Drill the floor marks with a 1/2" drill bit. Install Blind Fasteners in the floor (See Blind Fastener Instructions on the back page).

11. Fasten the Legs to the box.

12. Install the "J" Bolts through the holes you have drilled, and attach the Plastic Retaining Washer, Fender Washer and Nylon Lock Nut (see Figure 3.). Tighten the nut to the top threads of the "J" Bolt 1/4 turn into the nylon.

13. Stand the box upright and turn the "J" bolts to the side so they won't interfere when placing the box on the bed of the truck. Set the box in place on the truck bed.

**NOTE: When placing the box back in position, if it was necessary to drill a stake pocket, that "J" bolt will have to be held on an angle from the underside of the box and guided into the hole in the stake pocket.**

14. Fasten the Leg feet to the floor.

15. Turn the "J" bolts so they are under the lip of the bed. Pull the "J" Bolt up until it contacts the lip of the bed. Push the Plastic Retaining Washer down, using the Fender Washer, so the "J" Bolt is held in position. Tighten the Nylon Lock Nut, making sure the "J" Bolt hook remains under the lip of the truck bed.

**NOTE: Periodically check the tightness of "J" bolts to insure proper attachment.**

16. Snap the Cap Plug into the bottom hole (plug may be pulled when cleaning inside the box).

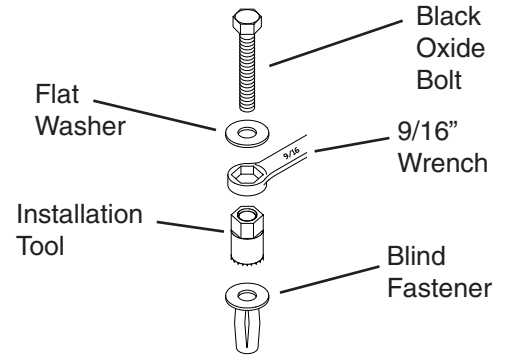


## WARNING

Prior to drilling, so as not to cut or puncture fuel tanks, fuel lines, brake lines, electric wires, etc., check under vehicle for locations.

### INSTALLATION PROCEDURE USING BLIND FASTENERS

Place a drop of oil on the black oxide bolt before assembling as shown on right. Place the Blind Fastener in the hole and use a 1/2" wrench to tighten black hex bolt until the blind fastener is fully seated. When setting black hex bolt, it will start out hard. As the Blind Fastener "bulbs" out it will get easier, until it bottoms out or sets. Make sure the Blind Fastener and Installation Tool do not turn during installation.



## SERVICE PARTS

FOR REPLACEMENT PARTS GO TO [WWW.WEATHERGUARD.COM](http://WWW.WEATHERGUARD.COM)

PART NO.	DESCRIPTION	FITS MODEL NUMBER
32-0027	Bolt Kit	All
70034	18" Door Support Cable (2)	247-3-01,265-3-01, 347-0-01, 347-5-01, 365-0-01, 365-5-01, 391-0-01, 391-5-01
7071-2PK	16" Door Support Cable (2)	246-3-01, 264-3-01, 272-3-01, 290-3-01, 290-5-01, 296-3-01, 346-0-01, 346-5-01, 364-0-01, 364-5-01, 372-0-01, 372-5-01, 390-0-01, 390-5-01, 396-0-01, 396-5-01
7070	23-3/8" Door Support Cable (1)	297-3-01
7101-3	Replacement Leg- White	246-3-01, 247-3-01, 264-3-01, 265-3-01, 272-3-01, 290-3-01, 291-3-01, 296-3-01, 297-3-03
7101-5	Replacement Leg- Black	290-5-01, 346-0-01, 346-5-01, 347-0-01, 347-5-01, 364-0-01, 364-5-01, 365-0-01, 365-5-01, 372-0-01, 372-5-01, 390-0-01, 390-5-01, 390-0-01, 391-5-01, 396-0-01, 396-5-01
710-XX	D-Handle Lock Core (XX=Key Code)	All
7684-XX	D-Handle Lock Kit (XX=Key Code)	All
7749	Grommer Kit	All
888	Weather Strip Kit	All

#### LIMITED WARRANTY

This LIMITED WARRANTY is made by Knaack LLC, 420 E. Terra Cotta Ave., Crystal Lake, Illinois to the original retail purchaser of KNAACK® or WEATHER GUARD® products.

KNAACK LLC WARRANTS THAT KNAACK OR WEATHER GUARD PRODUCTS WILL BE FREE FROM DEFECTS IN MATERIAL AND WORKMANSHIP FOR A PERIOD OF THREE (3) YEARS FROM DATE OF PURCHASE BY THE ORIGINAL RETAIL PURCHASER.

If, before the expiration of the Warranty period, purchaser discovers that the KNAACK or WEATHER GUARD product fails to fulfill the Warranty, purchaser shall contact Knaack LLC to make arrangements for an inspection of the product. If Knaack LLC determines a defect exists, Knaack LLC shall, at its option and expense, repair or replace any defective part. All Warranty repairs shall be made by an authorized KNAACK Product dealer or Knaack LLC approved service company.

This Warranty shall not apply if the KNAACK or WEATHER GUARD product has been subjected to misuse, abnormal service or handling, improper maintenance, or alterations made by anyone other than a KNAACK or WEATHER GUARD Product dealer or a Knaack LLC approved service company.

THE WARRANTY PRINTED ABOVE IS THE ONLY WARRANTY APPLICABLE TO THIS PURCHASE. ALL OTHER WARRANTIES, EXPRESS OR IMPLIED, INCLUDING BUT NOT LIMITED TO THE IMPLIED WARRANTIES OF MERCHANTABILITY AND FITNESS FOR A PARTICULAR PURPOSE ARE HEREBY DISCLAIMED.

KNAACK LLC SHALL NOT BE LIABLE FOR ANY INCIDENTAL OR CONSEQUENTIAL DAMAGES ARISING OUT OF ANY BREACH OF THIS WARRANTY. NOR SHALL THE DAMAGES EXCEED THE RETURN AMOUNT OF THE PURCHASE PRICE PAID BY THE ORIGINAL PURCHASER.

This Warranty is in lieu of all Warranties express or implied. The terms of this Warranty shall not be modified by any party, their successors or assigns. This Warranty gives you specific legal rights, and you may also have other rights which vary from state to state.

Product fits based on vehicle design available at the revision date. Vehicle manufacturers may change specs after the revision date, so if you have a vehicle produced with a model year date after the revision date, please contact your distributor or Knaack LLC to verify fitting of product to vehicle.



WEATHER GUARD® Products are protected by one or more of the following patents: U.S. 5145087, 5308126, 4509787, 4573731, 4618083, D-346355, D-346994, D-353574; Canada 1218968, 1224230, 1235100 and; U.K. 2233036. Other patents pending.

KNAACK L.L.C.

420 E. Terra Cotta Ave, Crystal Lake, IL 60014, 1-800-456-7865

[WWW.WEATHERGUARD.COM](http://WWW.WEATHERGUARD.COM)

©2008 Knaack LLC

Rev 2/08 Part No. 24-0273



**EMERSON**  
Professional Tools